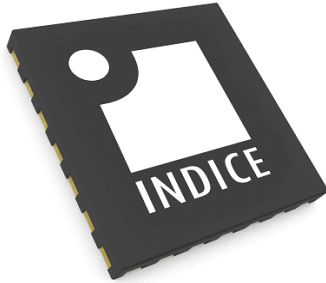




G3 Dimmable MR16 LED Driver IC

Product Number: IN0310



Description

Indice's next generation "G3" MR16 Driver IC is a true low voltage retrofit lighting solution. Integrate the IN0310 IC into your LED retrofit lamps to take advantage of features such as Active Temperature Management, deep dimming and extraordinarily high compatibility with current dimmers and transformers.

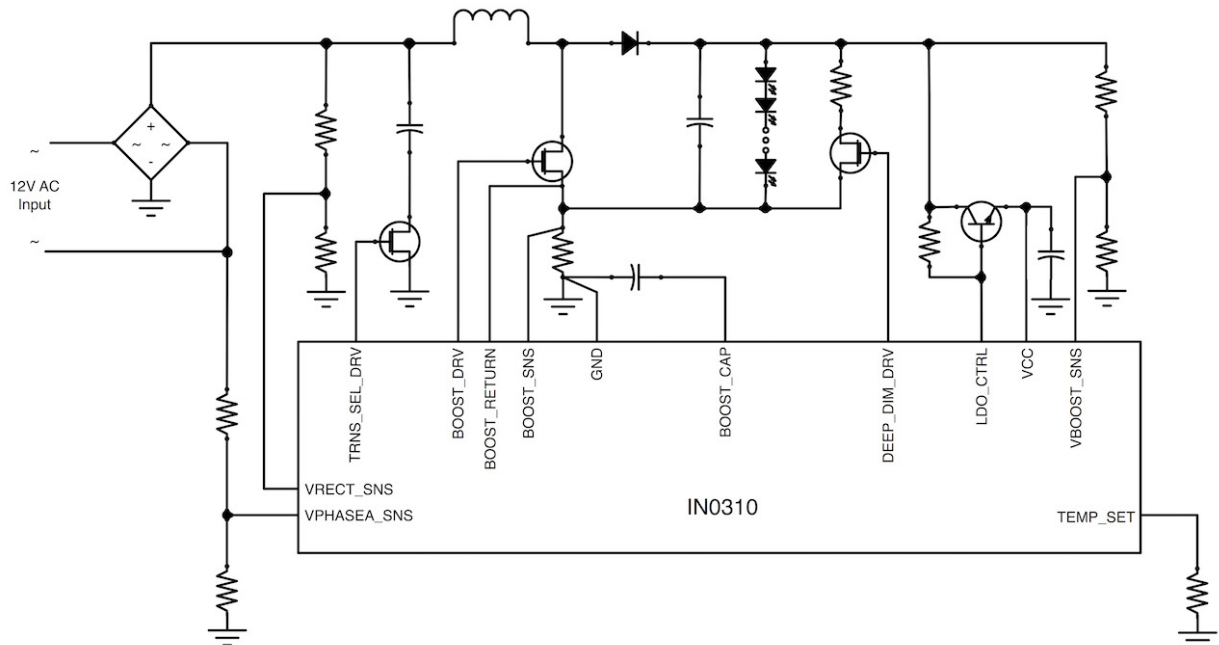
Features

- Incredibly high power density
- Deep dimming – down to 0% light
- Active Temperature Management
- Low part count – <36 components
- Ultra small form factor – fits inside the wedge of a ANSI halogen lamp
- Up to 20W applications

Applications

- MR16 retrofit lamps
- AR111 retrofit lamps
- Low voltage outdoor lighting (12VAC)
- Marine and automotive LED lighting

Functional Block Diagram





G3 Dimmable MR16 LED Driver IC

Product Number: IN0310

Specifications

Target power	Up to 20W
Input voltage	12VAC / 12VDC
LED voltage range	18V – 45V
Deep dimming	Yes: 100 – 0% light
Leading and trailing edge dimming	Yes
Electronic transformer compatible	Yes
Topology	Boost
Active Temperature Management	Yes
Driver efficiency	Up to 85% (Depending on transformer used)
Switching frequency	Up to 4MHz asynchronous
Power factor on electronic transformer	>0.9 (dependent on transformer)
EMC compliance on transformers	CISPR15 / FCC

Feature and package options

IC Order Number	Package	Features
IN0310	QFN20	<ul style="list-style-type: none">• Ultra high transformer compatibility• Dimming on leading and trailing edge dimmers• Boost topology• Deep dimming• Active Temperature Management• Power normalization keeps light level consistent across transformers

Note: Specifications are subject to change. For up-to-date product information, please visit www.indicesemi.com.