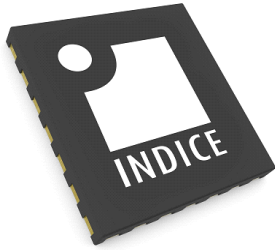




G3 Non-dimming MR16 LED Driver IC

Product Number: IN0306



Description

Indice's next generation "G3" MR16 Driver IC is a true low voltage retrofit lighting solution. Integrate the IN0306 IC into your LED retrofit lamps to take advantage of features such as Active Temperature Management, extraordinarily high compatibility with electronic transformers.

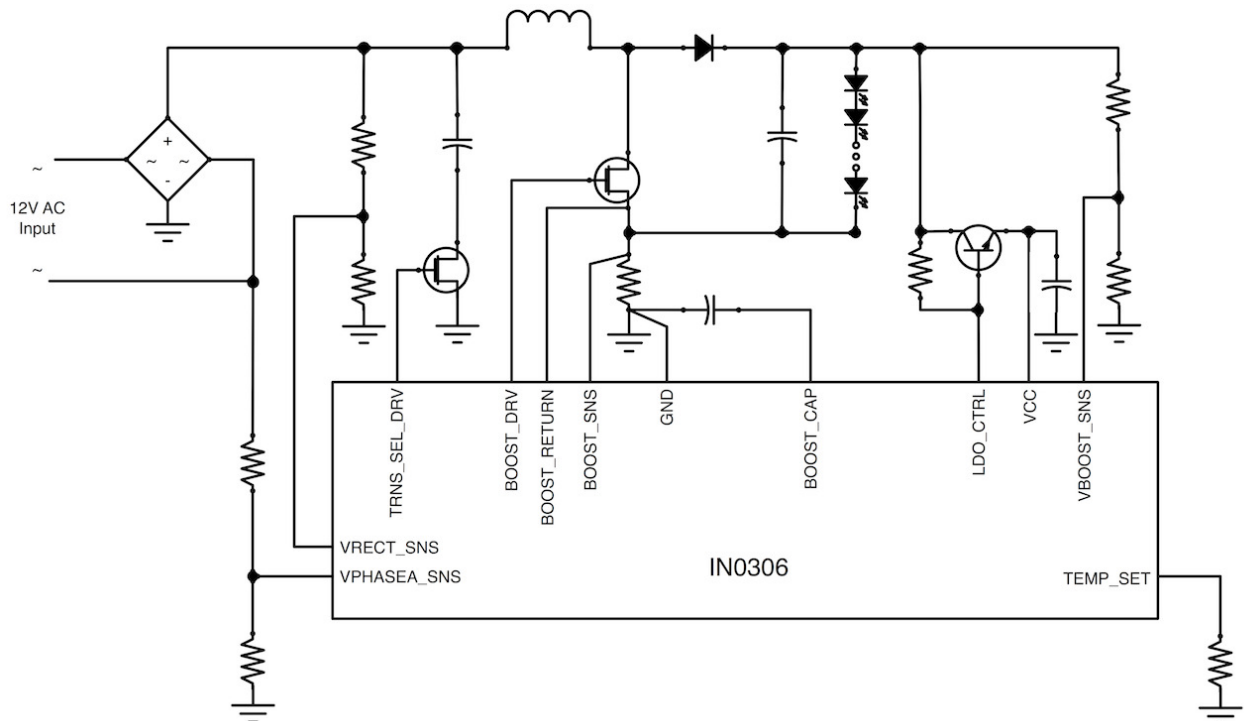
Features

- Incredibly high power density
- Active Temperature Management
- Low part count – As low as 18 parts (Application dependant)
- Ultra small form factor – fits inside the wedge of a ANSI halogen lamp
- Up to 10W applications – limited drive strength for low cost MOSFETs

Applications

- MR16 retrofit lamps
- AR111 retrofit lamps
- Low voltage outdoor lighting (12VAC)
- Marine and automotive LED lighting

Functional Block Diagram





G3 Non-dimming MR16 LED Driver IC

Product Number: IN0306

Specifications

Target power	Up to 10W
Input voltage	12VAC / 12VDC
LED voltage range	18V – 45V
Electronic transformer compatible	Yes
Topology	Boost
Active Temperature Management	Yes
Driver efficiency	Up to 85% (depending on transformer selected)
Switching frequency	Up to 4MHz asynchronous
Power factor on electronic transformer	>0.9 (dependent on transformer)
EMC compliance on transformers	CISPR15 / FCC

Feature and package options

IC Order Number	Package	Features
IN0306	QFN20	<ul style="list-style-type: none">• Ultra high transformer compatibility• Boost topology• Active Temperature Management• Power normalization keeps light level consistent across transformers

Note: Specifications are subject to change. For up-to-date product information, please visit www.indicesemi.com.